



Vega 50 Europa Quick Start Guide

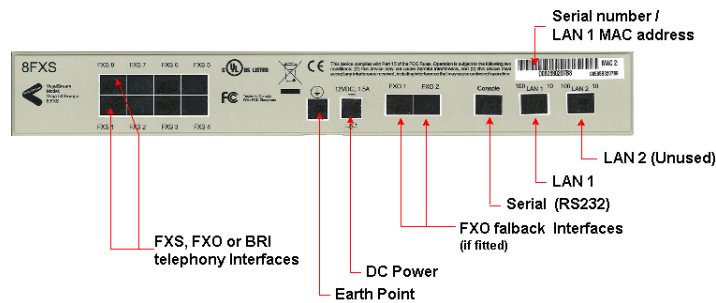
Congratulations on your purchase of a Vega 50 Europa Voice Over IP gateway. This Quick Start guide will assist you through the process of configuring your new gateway.

If you would like further details about the parameters you are configuring or you want to know more about the capabilities of your Vega 50 Europa please visit www.VegaAssist.com and start by looking at the Quick Config reference guide.

We advise that before connecting and using your Vega 50 Europa for the first time, you visit the above-mentioned VegaAssist website and read the 'Safety and Compliance Information' document which contains important details that you should be aware of.

1. Connecting your Vega 50 Europa

Connect your Vega 50 Europa using its telephony, Earth point, power and LAN connections.



The model of Vega 50 Europa that you have purchased determines the interfaces that you will see on the rear of your unit. FXS interfaces are the ports into which you plug telephones. FXO interfaces are the ports that connect to the public network. BRI interfaces can be configured to connect either to the public network, to a PBX or to Basic Rate ISDN handsets.

The potential interface layouts and their corresponding IDs are:

Vega 50 Europa 8 FXS + 2 FXO:

FXS 8 IF:0108	FXS 7 IF:0107	FXS 6 IF:0106	FXS 5 IF:0105		
FXS 1 IF:0101	FXS 2 IF:0102	FXS 3 IF:0103	FXS 4 IF:0104	FXO 1 IF: 0201	FXO 2 IF: 0202

Vega 50 Europa 4 FXS + 2 FXO:

FXS 1 IF:0101	FXS 2 IF:0102	FXS 3 IF:0103	FXS 4 IF:0104	FXO 1 IF: 0201	FXO 2 IF: 0202
------------------	------------------	------------------	------------------	-------------------	-------------------

Vega 50 Europa 4 BRI:

BRI 1 IF:0301	BRI 2 IF:0302	BRI 3 IF:0303	BRI 4 IF:0304
------------------	------------------	------------------	------------------

Vega 50 Europa 2 BRI:

BRI 1 IF:0301	BRI 2 IF:0302
------------------	------------------

The Earth point on your Vega must be connected. It serves a dual role as a safety Earth and it stops noise on telephone lines in electrically noisy conditions.

Currently only LAN 1 is activated and may be connected to any 10, 100 or 10/100 Mbps hub, router or switch.

2. Getting an IP address

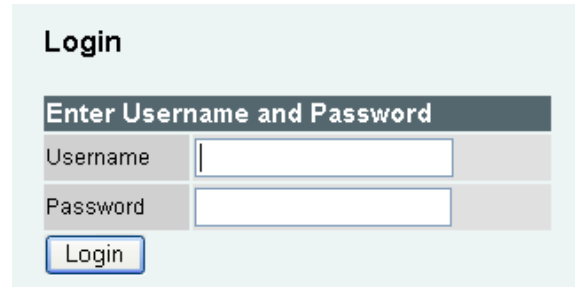
The Vega 50 Europa uses DHCP to pick up an IP address. If it fails to get an IP address from the DHCP server, for example, because there is no DHCP server on the LAN, then the Vega will default to an IP address of 169.254.x.y where x and y are the decimal versions of the last two bytes of the LAN 1 MAC address. The LAN 1 MAC address can be found underneath the barcode on the rear of the Vega 50 Europa unit.

A calculator that will calculate the 169.254.x.y address from the MAC address is available in the Vega Tools section of www.VegaAssist.com

3. Logging into the Vega

Enter the IP address of your Vega 50 Europa into the address line of your web browser and press enter or select 'Go'.

The Vega will present you with a login screen:



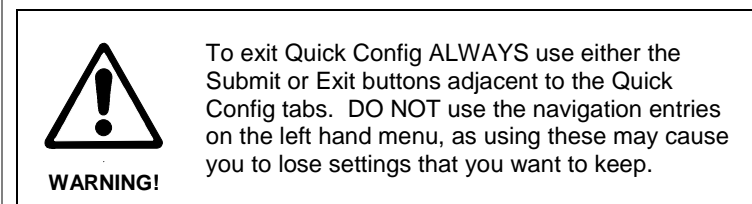
Enter the username and password.

By default these are set to:

Username = admin
Password = admin

4. Configuring your Vega

Select Quick Config. If a warning message appears informing you that that there is already configuration applied, you can remove the existing settings and start from the beginning by selecting 'Continue' then ticking the 'New Install?' box. This will ensure that any old, unwanted configuration is removed as you submit your new settings. Do not tick this box if you are simply amending existing configuration.



a) Basic Config

Start by selecting the basic config tab.

If this is a new installation, ensure that the 'New Install' option is ticked.

Select the country and then choose which emergency numbers are appropriate for the location of the Vega.

Now select the LAN settings and then the codecs to use for VoIP calls.

b) VoIP

Choose whether the Vega is going to route calls to a VoIP service provider or Proxy, or alternatively define up to 8 specific VoIP devices to route calls to.

If the VoIP service provider / proxy option is chosen then specify the proxy and registrar details. These will be provided by your VoIP service provider / proxy administrator.

Depending on your preferred configuration, registration may be configured as one single registration for the Vega gateway, or as one registration per FXS port.

All IP address entries may be provided as dotted decimal values (a.b.c.d) or as DNS names (e.g. SIP.VegaStream.com).

The list of telephone numbers supplied is a comma or space separated list of telephone numbers to be routed to that destination. The telephone numbers may include regular expression characters to make them telephone number ranges rather than just single telephone numbers.

Regular expressions

- . Any single digit
- [abc] Range of digits 'a', 'b' and 'c'
- [a-d] Range of digits 'a' thru 'd'
- [^abc] Range of digits excluding 'a', 'b' and 'c'
- * Previous character or regular expression repeated 0 or more times
- + Previous character or regular expression repeated 1 or more times
- ? Previous character or regular expression repeated 0 or 1 times
- \ Turn off the regular expression meaning of the following character, e.g. \< * = DTMF *

c) FXS (applicable to the 4 FXS and 8 FXS variants)

Enable and disable the interfaces as required and set up the telephone number(s) to route to each interface. If you have telephones attached, typically you will have a single number associated with each interface. If the interfaces are connected to the analogue trunk interfaces of a PBX then typically each interface will have a number range that needs to be routed to each interface.

d) FXO (applicable to the 4 FXS and 8 FXS variants)

Set up the telephone numbers to route to each interface, using comma or space separated lists of telephone numbers and regular expressions if ranges are required.

When a call arrives on an FXO interface the Vega gets alerted to the fact by receiving a ringing voltage on its interface; the FXO line does not supply any dialled number information to the Vega. The Vega therefore needs to be configured with a telephone number to forward these incoming telephony calls to. In the 'Incoming Forward' field enter the telephone number that calls received on this telephone interface should be forwarded to.

If the Vega is powered down or is being upgraded, the two FXO interfaces fallback to a hardwired connection through to the first two FXS interfaces. This allows calls to be made through the first two FXS interfaces (to these FXO interfaces) even when the Vega is unable to actively process calls.

e) BRI (applicable to the 2 BRI and 4 BRI variants)

Start by configuring the Port Setting section. As these values relate to the physical interface connectivity, once you have set these values you should never have to return to reconfigure them.

Line type should be set to be the same as the line type setting on the device(s) that the Vega interface is connected to.

Select NT (NeTwork) on each Vega interface that is connected to a PBX interface which is configured as TE (Terminal Equipment). Ensure NT is not ticked if the interface is connected to the ISDN network (which is NT) or is connected to an NT interface on the PBX.

If power to the line is required, select Phantom power. Note that Phantom power is only supplied on lines configured as NT.

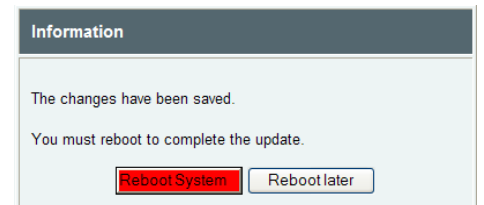
Now configure the Telephony Connection details

f) Saving your configuration

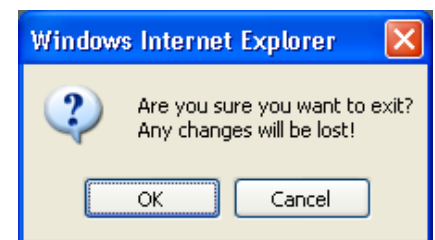
Press Submit to save, apply and activate the changes you have made using Quick Config. Pressing Submit will bring up a confirmation request. Select OK to continue and activate the changes or Cancel to take you back to the Quick Config pages.



Selecting Ok to the above question will activate most Quick Config settings. Some parameters, like the IP address of the Vega, will however require the Vega to be re-booted. If a reboot is required the Vega will ask whether this should occur immediately or whether you wish to do it manually later. If later is selected, the reboot button on the left hand side menu will be left RED to indicate that a reboot is still required to activate certain new parameters.



If you decide that you want to abandon the changes just made in Quick Config then select Exit. A confirmation request will be displayed, select OK to exit or cancel to return to the Quick Config pages.



Help!

If you encounter problems, please refer to www.VegaAssist.com or contact your Vega 50 Europa reseller directly.